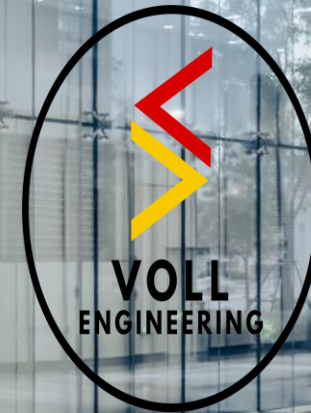


WIRE SOLUTIONS

VOLL Metal Solutions

voll.engineering@gmail.com

Wire Bending, Welding, Painting
Sheet Metal Bending, Welding, Painting



01/11/2023

CONTENTS

1. Who we are?
2. Wire Bending
3. Laser Cutting
4. Press Brake
5. Welding
6. Painting



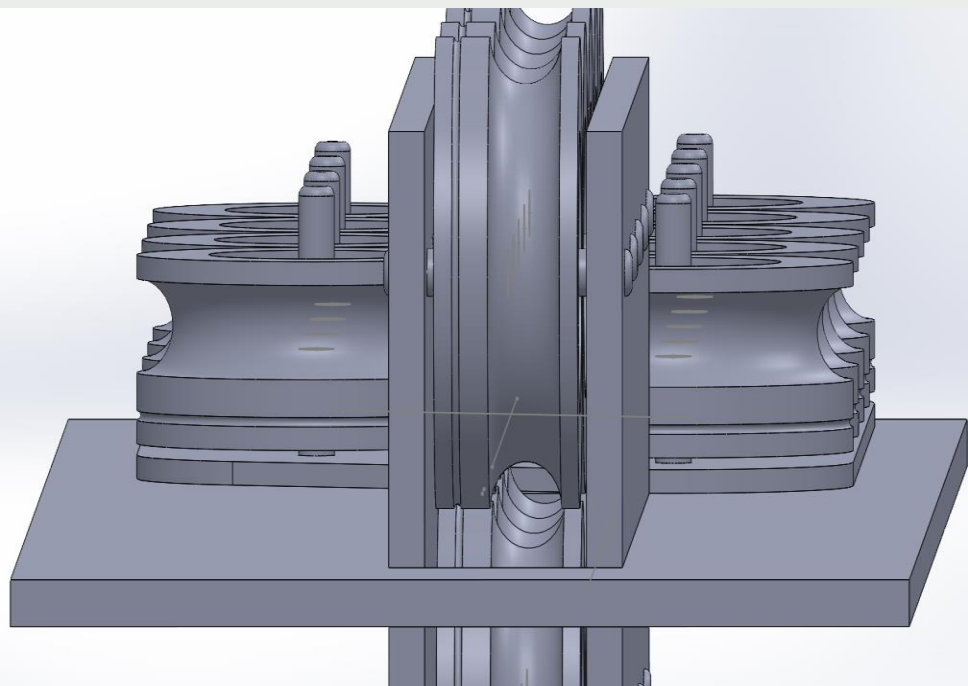


Who we are?

VOLL Engineering designs 2D – 3D Technical drawings since 2015.

As VOLL Engineering, we care about continuity and quality in production.

In addition, we can produce precision measurements of parts during our production with our special equipment.





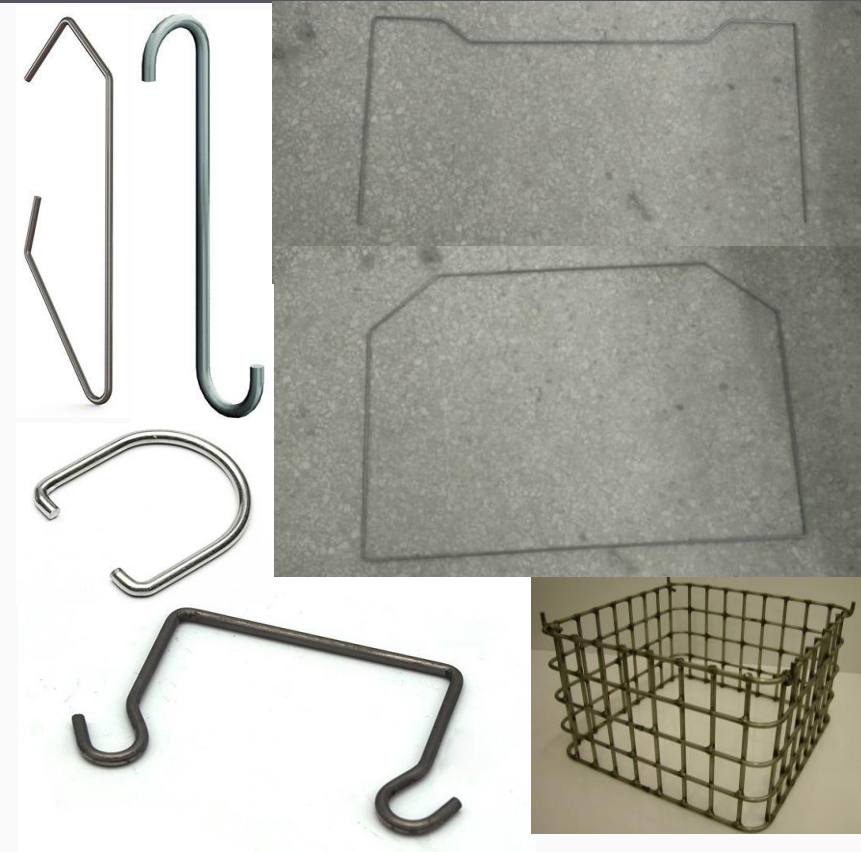
Manufacturing

Wire cut to size operation
with precision.

Manufacturing

We are manufacturing, bending, welding, painting 1-10mm wires.

Precisized Manufacturing is important for us.



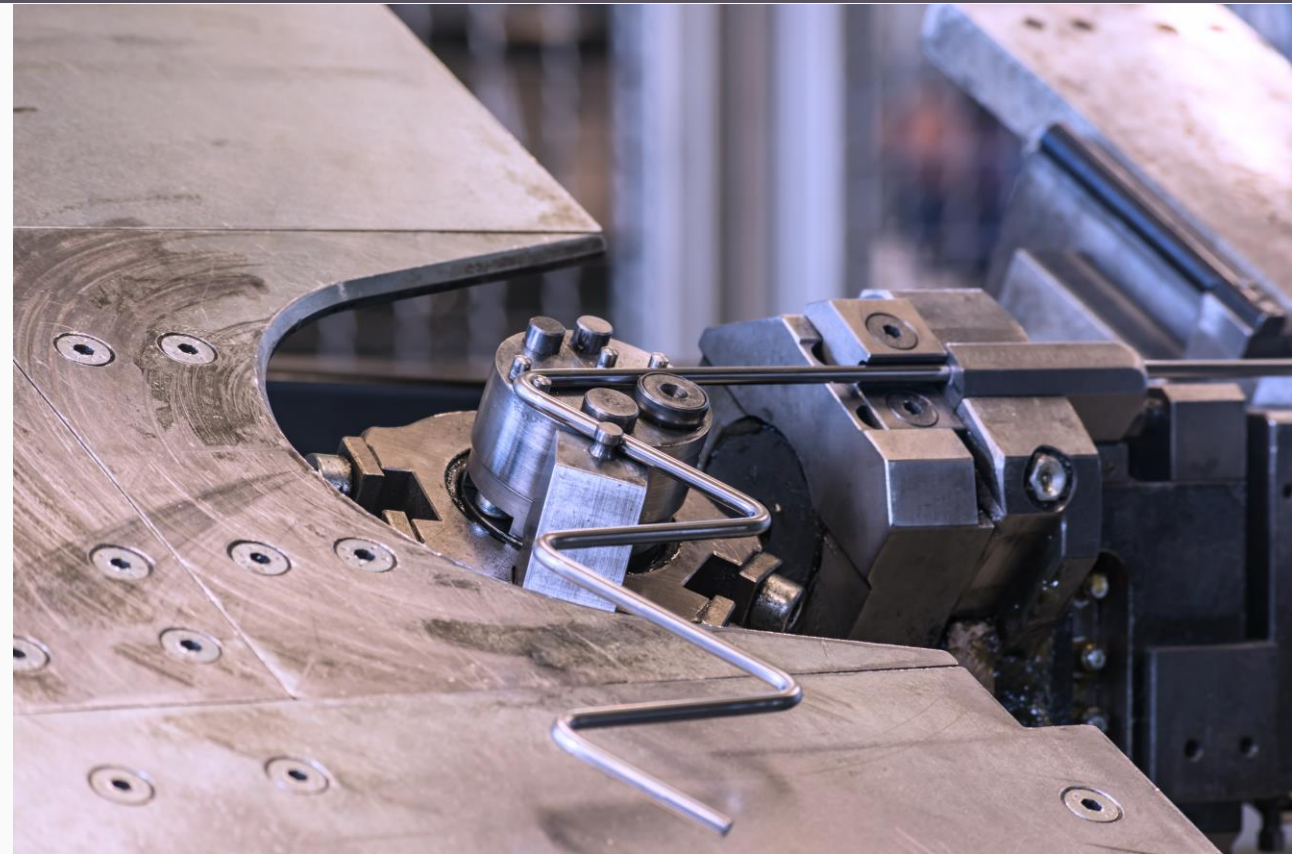
High Quality of Steel



VOLL Engineering *aiming always to provide its customers with the highest quality and the best service.*



A worldwide reliable partner in *wire bending, welding and painting.*

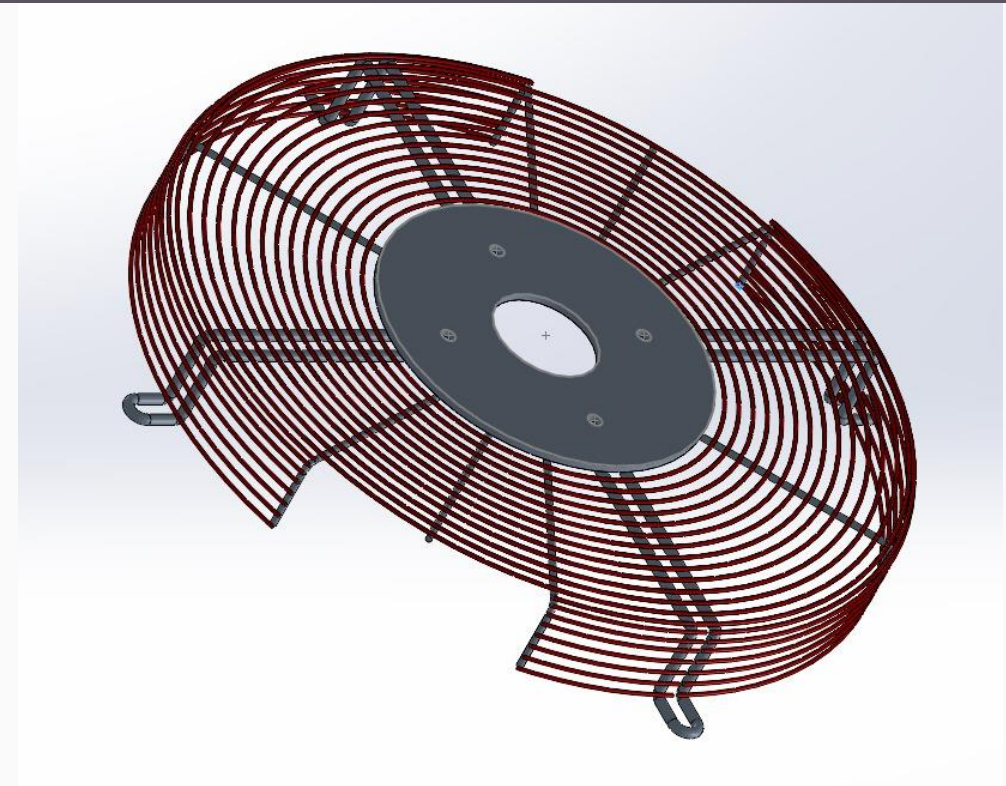


Protective Fan Guards



01/11/2023

Protective Fan Guards



Protective Fan Guards



Protective Fan Guards



01/11/2023

10



WELDING TECHNOLOGIES

VOLL Engineering





Respect for our Environment

shows the utmost respect for the environment at its wire bending, sheet metal bending and welding complying with all regulations.



Customer Satisfaction

Approaching our customers with a full understanding of their needs

Supplying our customers with the best available quality products

Always maintaining our stance as a reliable and dependable supplier

Developing long-lasting relations with our customers for our mutual benefit

Always accessible, easy to work with

Respect

SAMPLES

You can reach us then get your sample for our manufacturing quality.



LASER CUTTING



CAPACITY

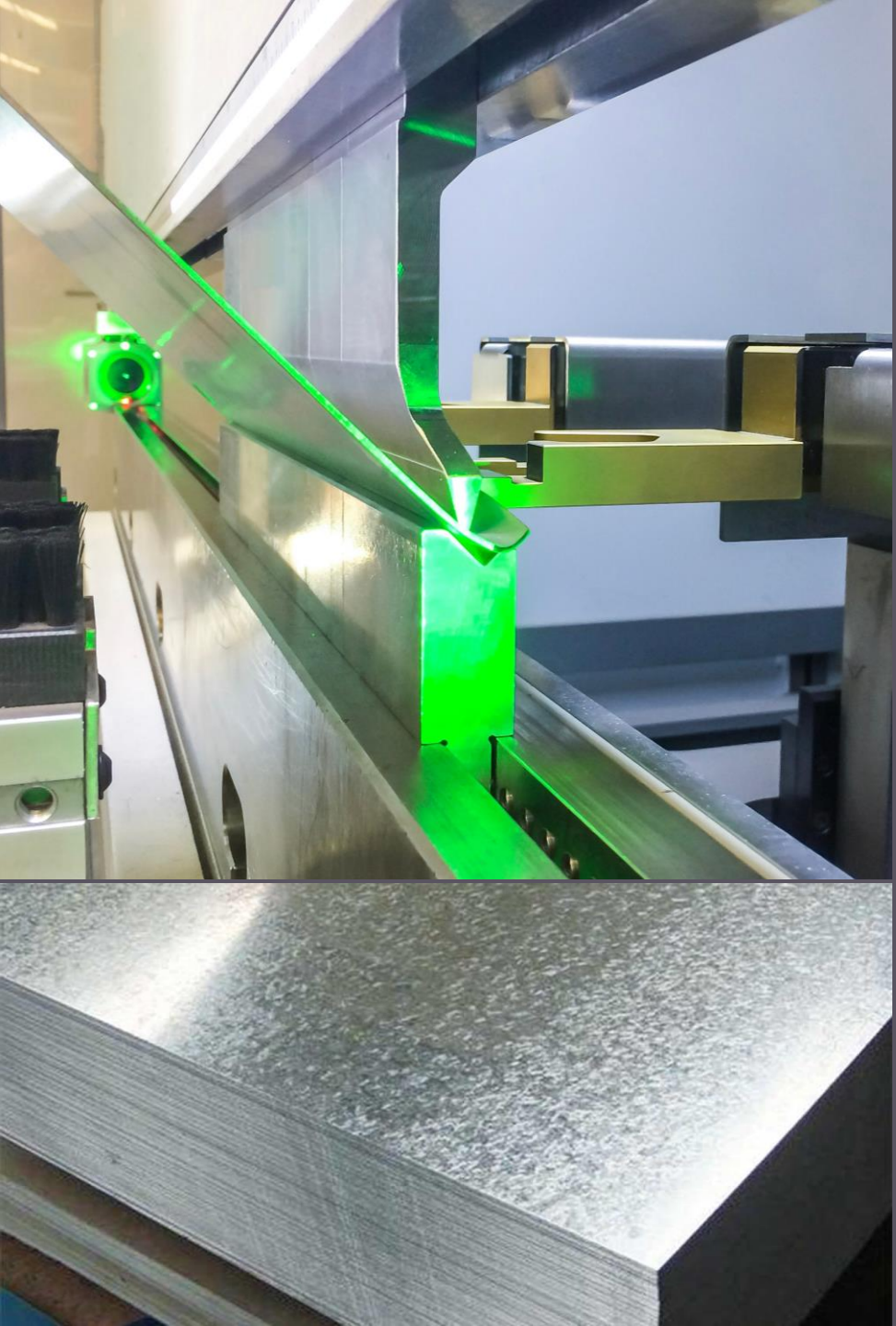
*You can trust manufacturing quality of our machines. Because meaning of **VOLL** comes from the **vollständig** in German.*

This means completed perfect, full.

LASER CUTTING

CAPACITY

We can provide 0.1mm to 15mm sheet metal.



PRESS BRAKE



We capture precise measurements with our quality sheet metals and special measuring tools.



Precision machine support up to 2.5 meters wide.



Custom mold support. We can reach the fillet you want.



At what stage is the production? You can follow. You can follow up instantly with my Smart Tracking Site.



CAPACITY

We can provide electrostatic powder paint application with all of RAL Color codes.

PAINTING

CONTACT



VOLL Metal Solutions
*VOLL Mühendislik Sanayi ve Ticaret
Limited Şirketi*



vollengineering.com



voll.engineering@gmail.com



Muradiye mahallesi 18. Sokak
Yunusemre / Manisa / Turkey



01/11/2023

18